

Technical Book

R 120
FIX

 **My Sun Shades**
EUROPEAN SHADING SYSTEMS



2909A WISEMANS FERRY ROAD
MANGROVE MOUNTAIN NSW 2250
SYDNEY-AUSTRALIA

T: +61 2 4374 1434
M: +61 430 777 779
INFO@MYSUNSHADES.COM.AU



ABOUT R 120 FIX

The R 120 FIX is the first external screen in the world that is truly wind tight. Thanks to an ingenious fix system, the fabric is wind tight in every position and can be insect proof in the closed position. It is a simple principle by which the sun-protecting fabric has a special trim with a symmetrical zip which holds the entire structure firmly in the two side channels. R120 FIX, the technological performer in terms of comfort and ease of use, can be used in residential, offices and project buildings. The extensive range of colours of the fabrics and the profiles ensures that the R120 FIX is in perfect harmony with the architecture of your home or company, which automatically leads to a pleasant living and working environment. All materials used for the R120 FIX are 100% corrosion-proof. Only stainless-steel screws have been used.

CONTENTS

4 // EXPLODED VIEW //

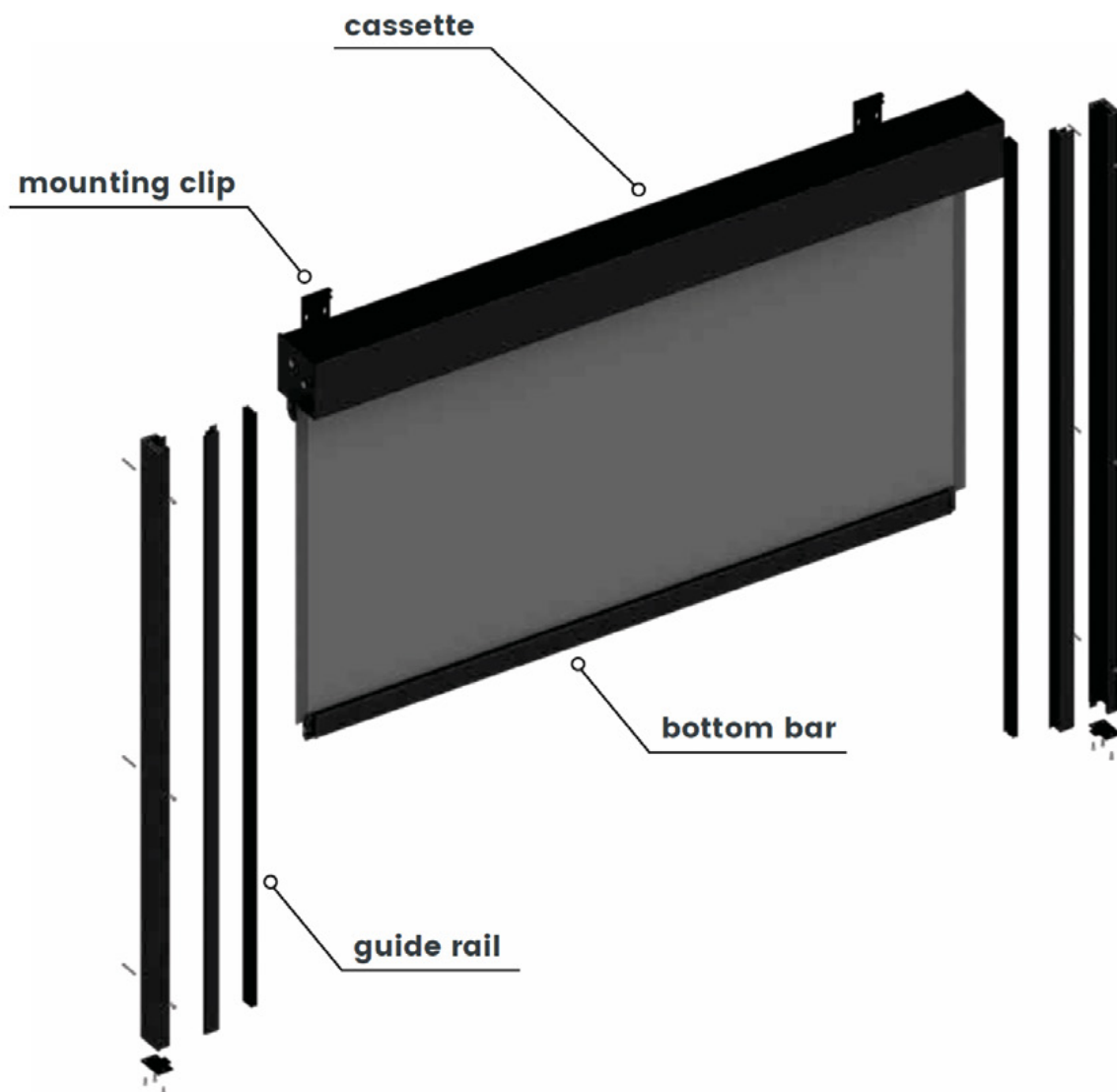
5 // MODEL FIGURE //

6 - 7 // OPTIONAL GUIDING RAIL //

8 // GUIDE RAILS INSTALLATION OPTIONS //

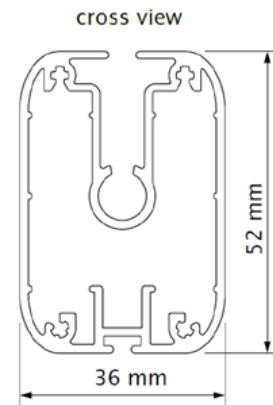
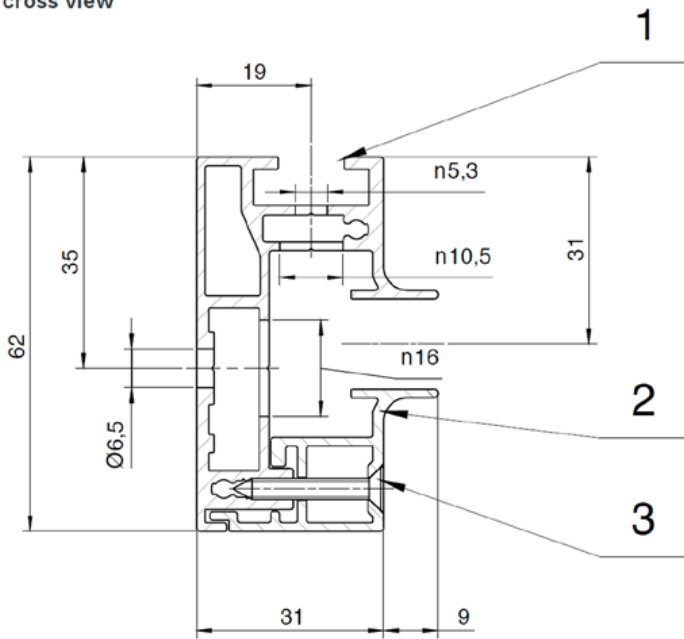
9 - 12 // R 120 FIX INSTALLATION //

4 // EXPLODED VIEW //



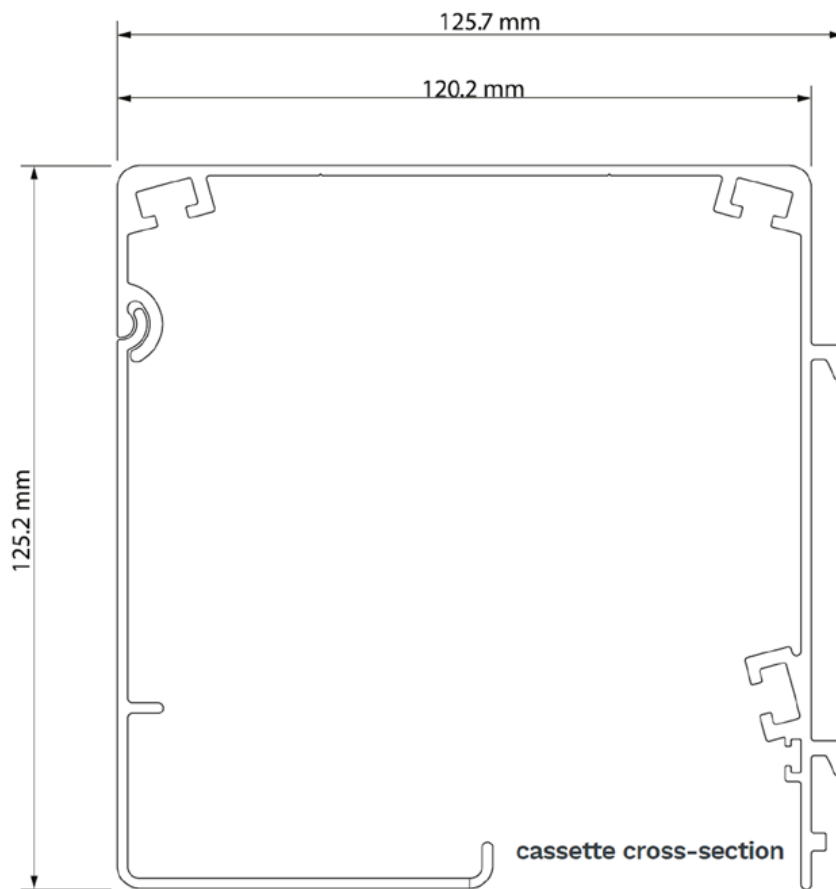
- // COLOUR PALETTE // *colours*
- // ELECTRIC DRIVE // *yes*
- // ELECTRIC DRIVE // *no*
- // MAXIMUM WIDTH // *5.0 m*
- // MAXIMUM PROJECTION // *3.0 m*
- // EXTERNAL APPLICATION // *yes*
- // INTERNAL APPLICATION // *no*

guide rail profile
cross view

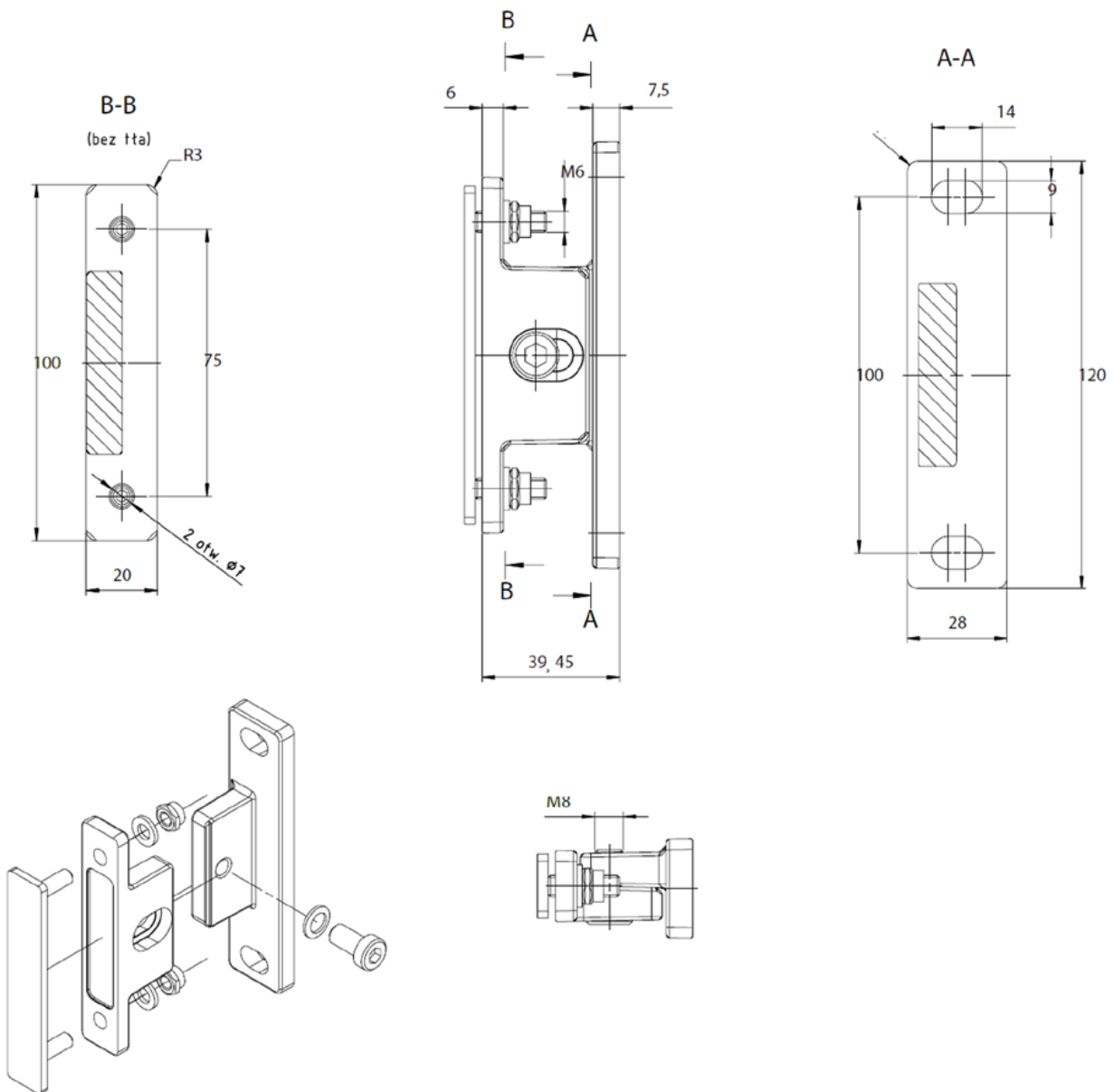


- 1. guide rail profile
- 2. removable front cover
- 3. screw

Material: extruded aluminium.

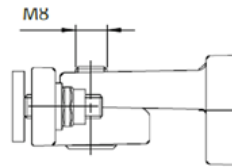
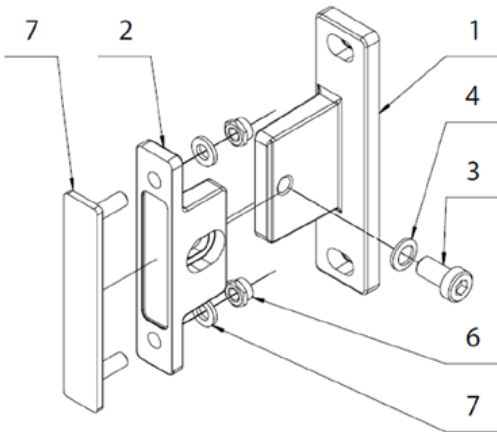
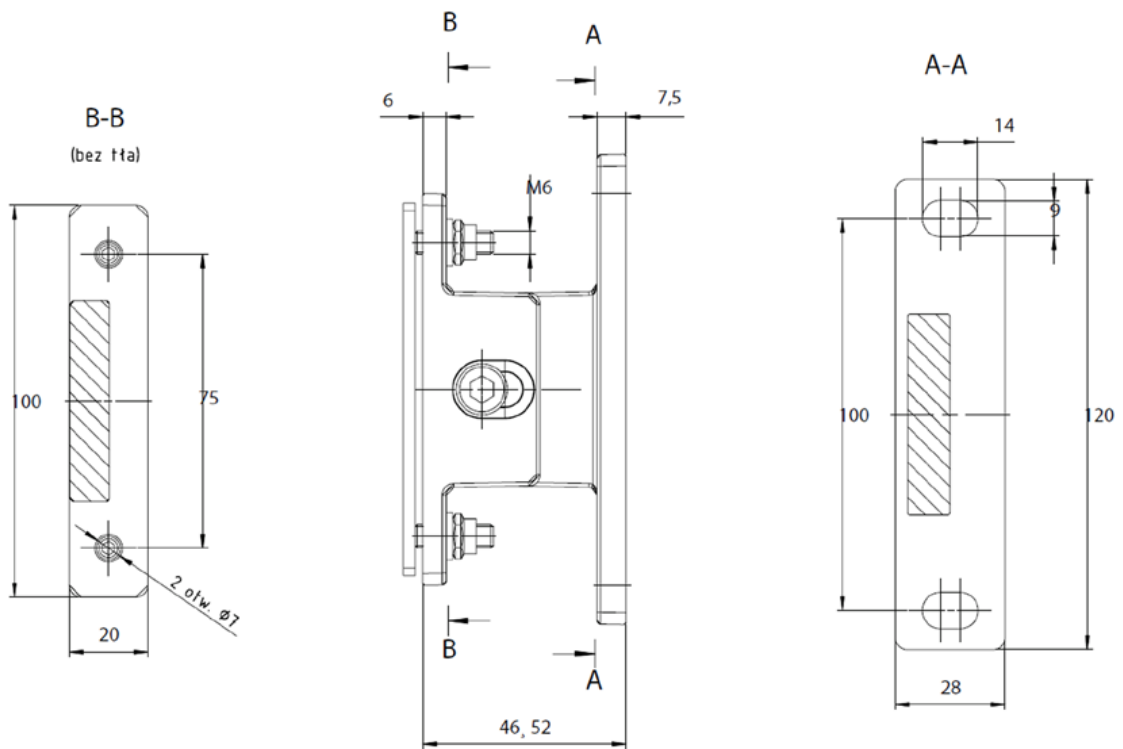


6 // OPTIONAL GUIDING RAIL //



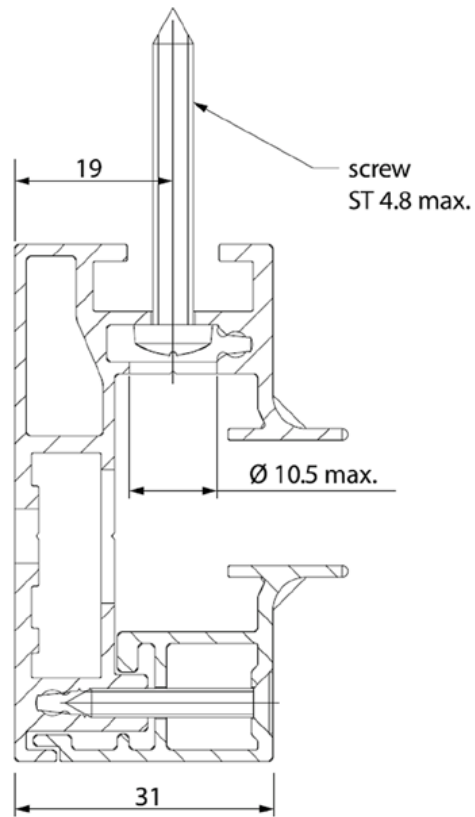
7	2	Round washer 6.4	PN EN ISO 7090	A2	0.001 kg		
6	2	Self-locking nut. M6-A2	PN EN ISO 10511	A2-70	0.002 kg		
4	1	Lock-washer Ø 8 mm	ART_NR_420500_ HX_0_	galvanized	0.000 kg		Metric
3	1	Hexagon bolt M8x16-A2-70	DIN 6912	A2-70	0.010 kg		
5	1	Fixing element	123.011.000		0.049 kg		
2	1	Adjustable part of the bracket	123.005.002	EN AC 44300	0.053 kg		
1	1	Wall side part of bracket (for Refleksol)	123.006.001	EN AC 44300	0.104 kg		
Lp.	IL.	name	figure or standars no	material	weight	paint	remarks

PARTS LIST

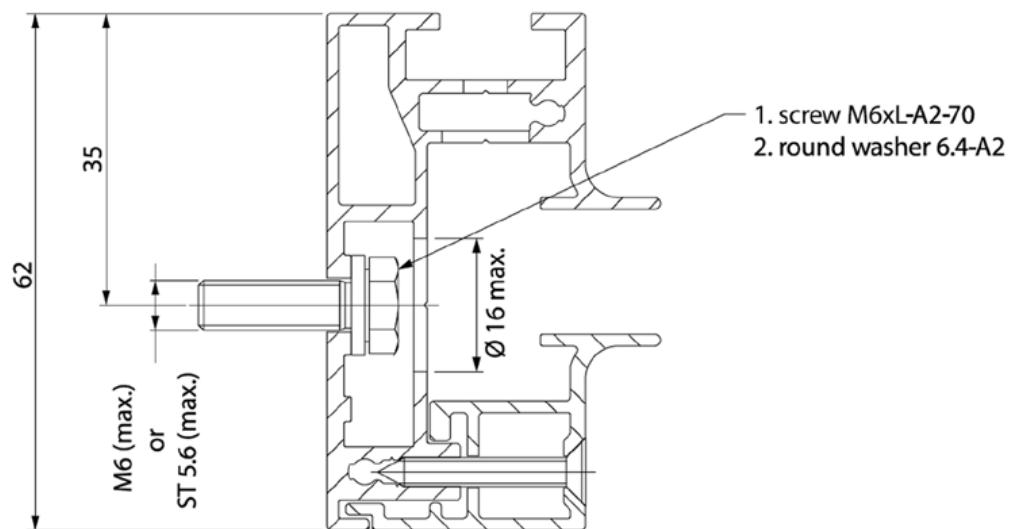


7	2	Round washer 6.4	PN EN ISO 7090	A2	0.001 kg		
6	2	Self-locking nut. M6-A2	PN EN ISO 10511	A2-70	0.002 kg		
4	1	Lock-washer Ø 8 mm	ART_NR_420500_HX_0_	galvanized	0.000 kg		Metric
3	1	Hexagon bolt M8x16-A2-70	DIN 6912	A2-70	0.010 kg		
5	1	Fixing element	123.011.000		0.049 kg		
2	1	Adjustable part of the bracket	123.005.002	EN AC 44300	0.053 kg		
1	1	Wall side part of bracket (for Refleksol)	123.006.001	EN AC 44300	0.104 kg		
Lp.	IL.	name	figure or standars no	material	weight	paint	remarks
PARTS LIST							

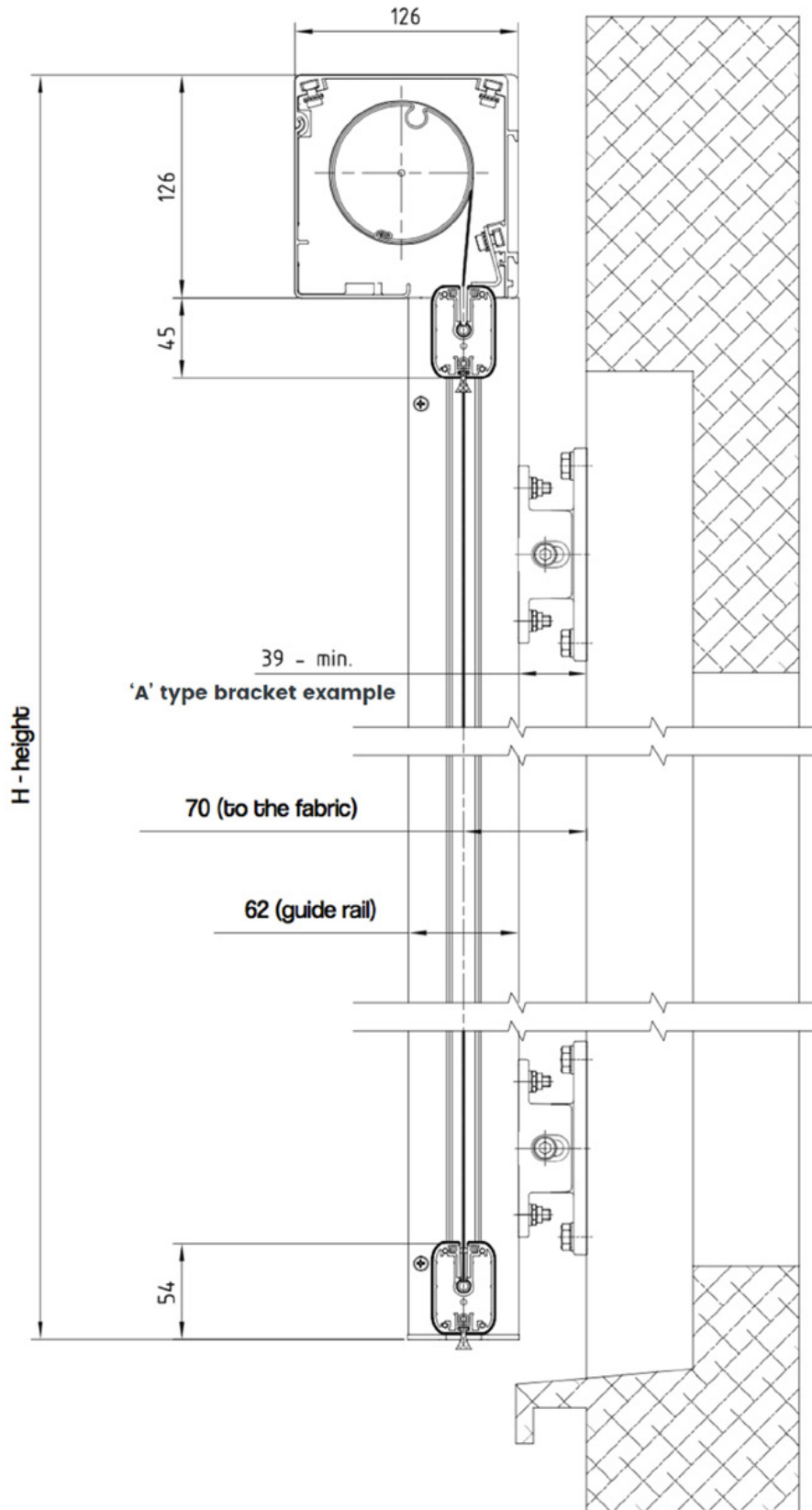
**1. Frontal installation
- directly to the wall**



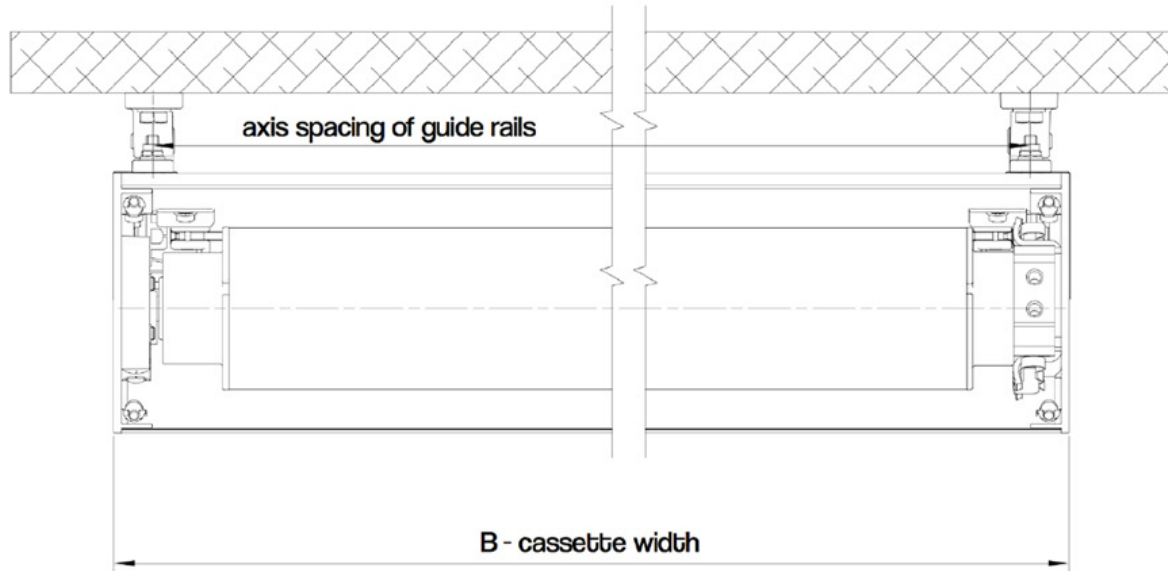
**2. Side installation
- directly to the wall**



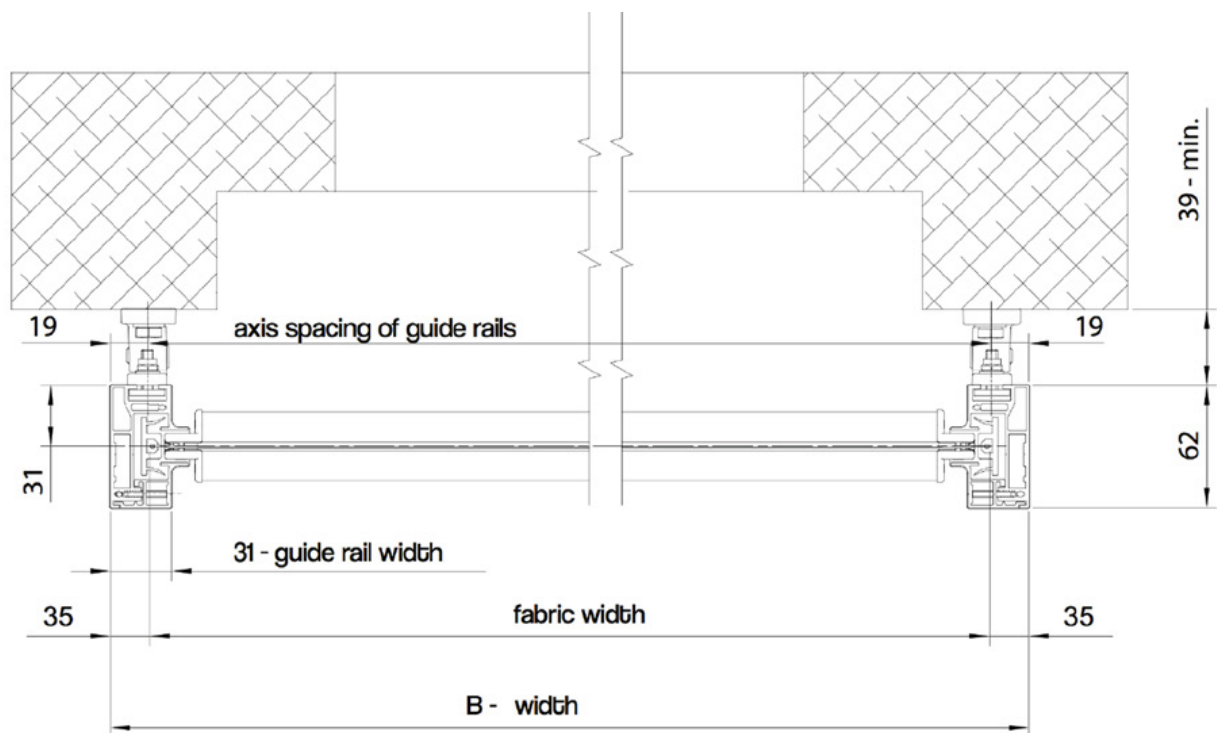
R 120 FIX With Adjustable Brackets, Self-supporting Version Cross-section



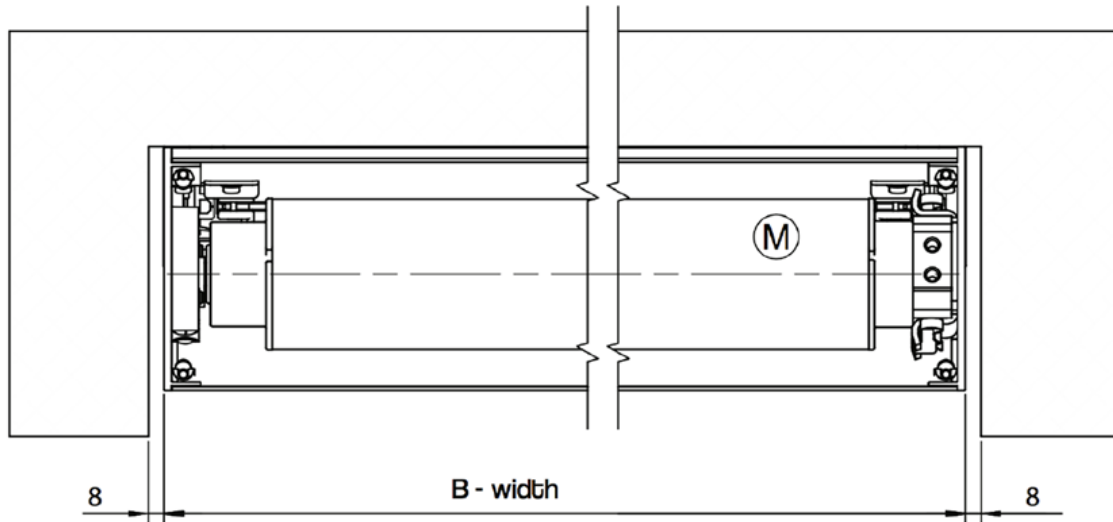
R 120 FIX With Adjustable Brackets, Self-supporting Version Cross-section



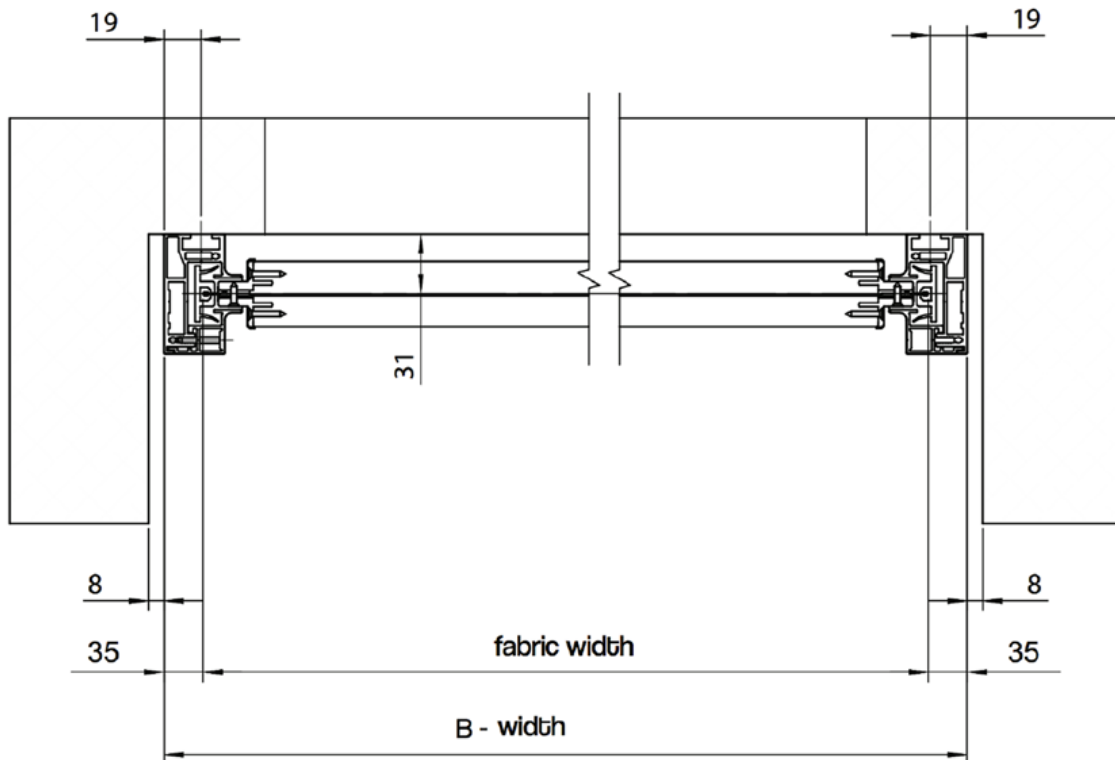
R 120 FIX With Adjustable Brackets, Self-supporting Version Cross- Section Through The Bottom Bar



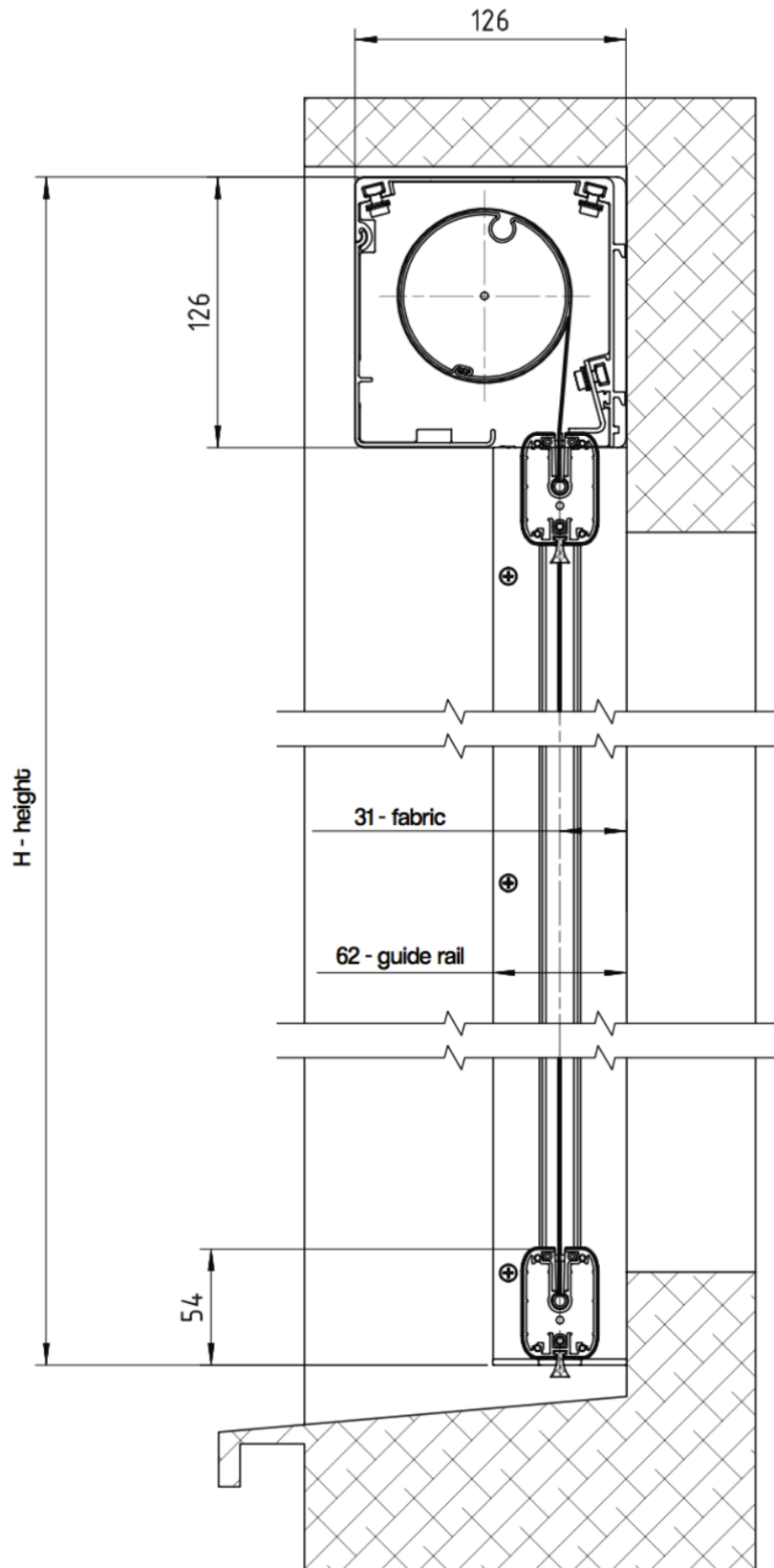
R 120 FIX, Wall Version, Frontal Installation, Cross-section Through The Cassette



R 120 FIX, Wall Version, Frontal Installation, Cross-section Through The Bottom Bar



R 120 FIX, Wall Version, Frontal Installation, Cross-section





THANK YOU

www.mysunshades.com.au