
ART_01

TECHNICAL BOOK



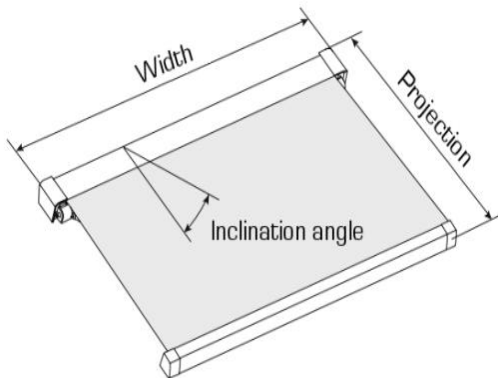
2909a Wisemans Ferry Road
Mangrove Mountain NSW 2250
Sydney-Australia

t: +61 2 4374 1434
m: +61 430 777 779
info@mysunshades.com.au

Model No. 08-2913

Innovative folding arm in a slim design with a one piece aluminium cassette and matching front bar for all-year weather protection of fabric and mechanism. Roller made of galvanized sheet steel (Ø 78 mm) and lateral bearings with integrated pivot joint including safety locking mechanism. Inclination angle adjustable by screws up to about 40 °. Articulated arms provide constant tension to the fabric. Assembly (on concrete C20/25) possible in different settings. Awning is mounted on brackets, that are concealed by the awning with only one screw visible on each one. Drive options include manual crank operation and a selection of electric motors.

Standard DIN EN 13561 – note: The supplied brackets are provided for mounting on concrete C20/25. Other mounting surfaces and installation on surfaces with insulation have to be mentioned in the order, as other brackets or accessories might be necessary



Technical Data

Width and projection

Width of 191 cm to 500 cm
Projection 150/200/250/300/320cm

Awning width	Max. projection
191 cm	150 cm
241 cm	200 cm
291 cm	250 cm
341 cm	300 cm
391 cm	330 cm

Inclination angle

From 5° to 40°

Frame colour

Silver (RAL 9006)
Anthracite (DB 703)
Other colours on request

Fabric

Please contact MY SUN SHADES for latest fabric collection



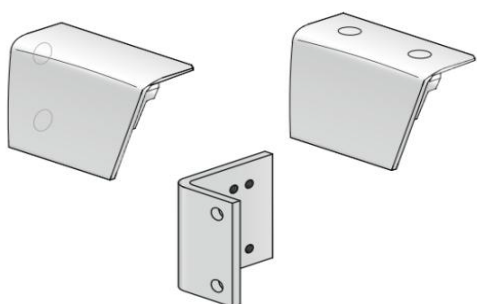
Technical Data

Manual crank Removable crank in different standard lengths (100, 120, 140, 160, 180, 200 cm).

Electric motor With electronic torque control and thermal protection. Optional: electric motor with integrated radio receiver and transmitter

Option

Art+ New articulated arm design with concealed hinge and spring



Mounting

Possible mounting

Wall, ceiling, recess

Note: If not mentioned otherwise from this point onwards it is assumed the mounting surface is made of grade C20/C25 concrete. Other surfaces and installation on surfaces with insulation have to be mentioned beforehand, as different brackets and/or accessories might be necessary. Mind the pull out forces!

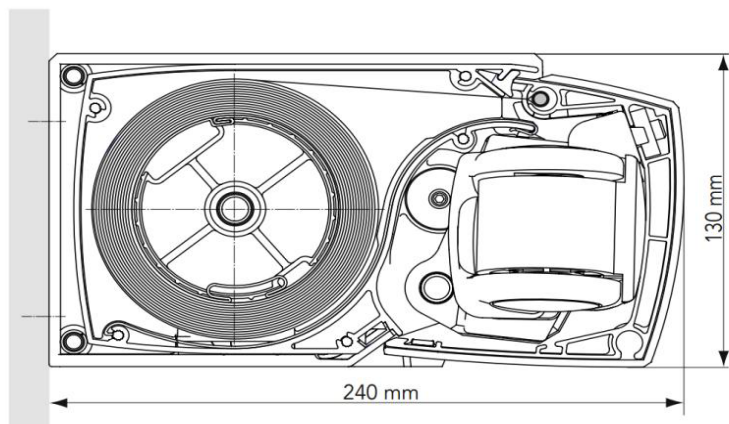


Articulated arm ART+ with concealed hinge and spring

- 1. Awning fabric**
- 2. End cap**
- 3. One piece cassette**
- 4. Arm socket**
- 5. Articulated arm**
- 6. Front bar**



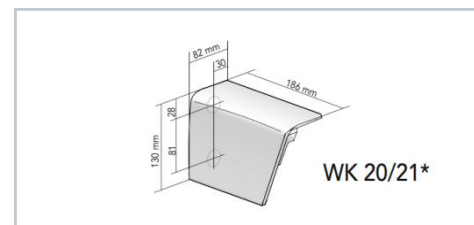
Closed ART awning



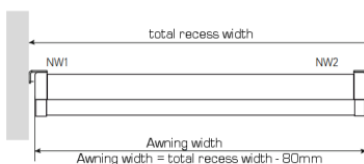
Wall mount

Standard mount

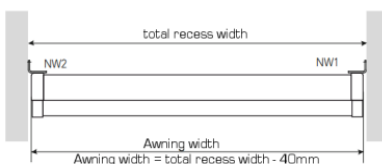
For mounting on concrete wall and inclination angle 5° to 40°



Recess mount variant 1 (default)

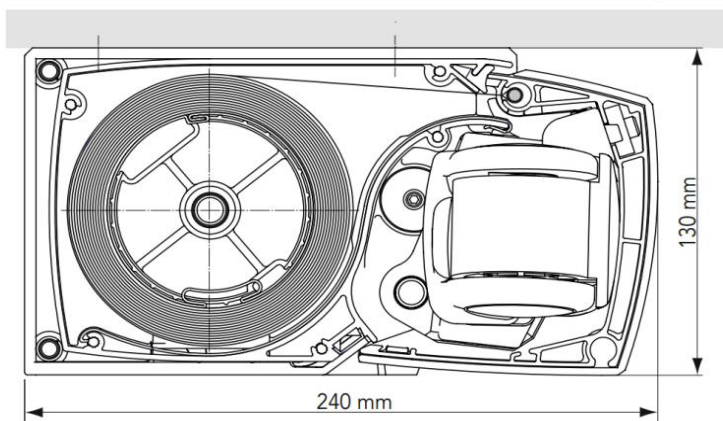
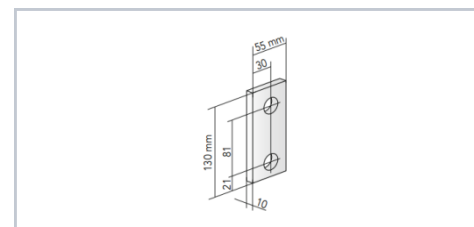


Recess mount variant 2

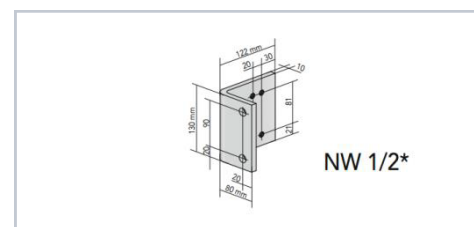


When using variant 2 the mounts have to be swapped

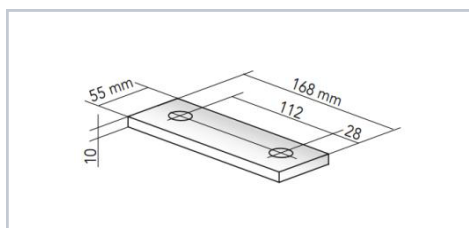
For mounting on concrete wall and inclination angle 5° to 40°



Recess mount



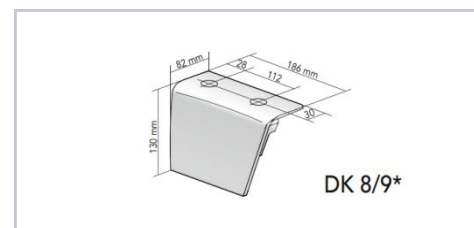
Aluminium distance plate for uneven surfaces (optional)



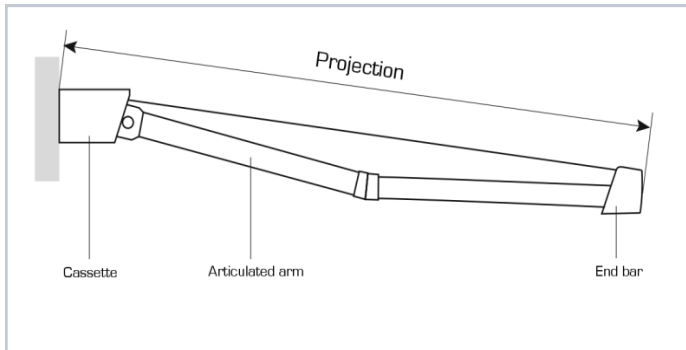
Ceiling mount

Standard mount

For mounting on concrete ceiling and inclination angle 5° to 40°

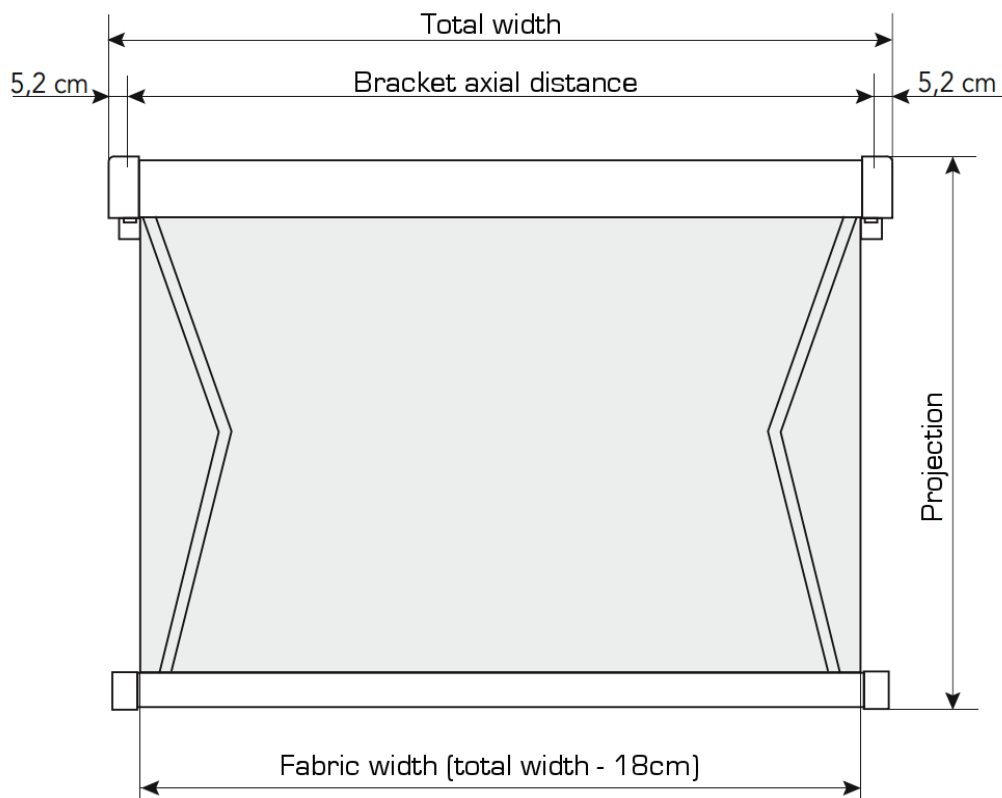


Brackets and articulated arms

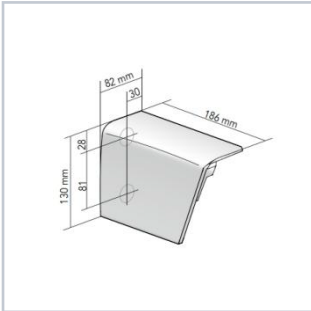


Width of the awning	Brackets	Articulated arms
191 - 500	2	2

Overhang and axial dimensions



Wall brackets



Bracket WK20/21

Standard mount with 2 mounting points

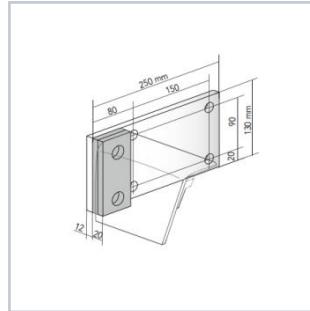


Plate WK22

4 mounting points plate with distance plate

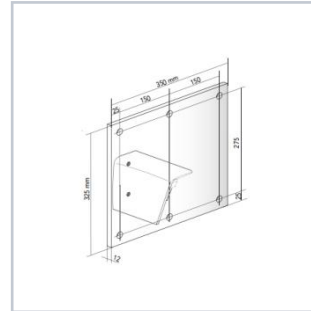
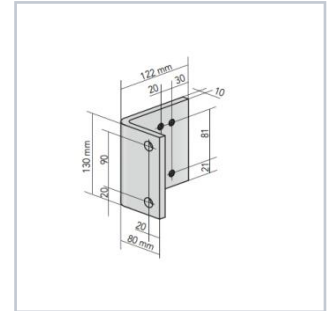


Plate WK23

6 mounting point plate

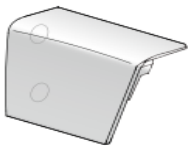
Recess bracket



Bracket NW 1/2

2 mounting point bracket for recess mounting

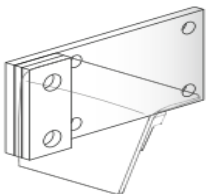
Wall mounting



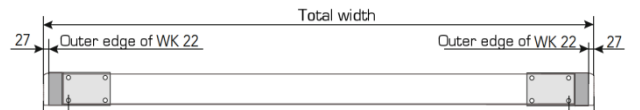
Bracket set KI
1x WK20 and 1xWK21 4 mounting points (default)



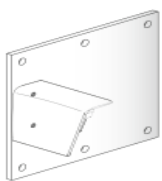
WK 20/21*



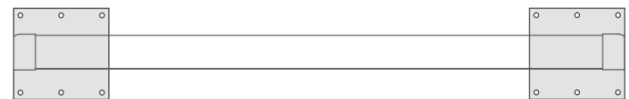
Bracket set KK 1xWK22 brackets 8 mounting points



WK 22

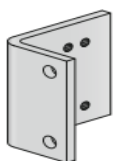


Bracket set KL 2xWK23 brackets 12 mounting points



WK 23

Recess mounting

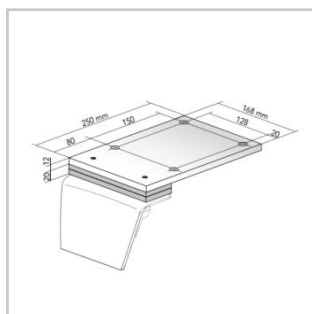
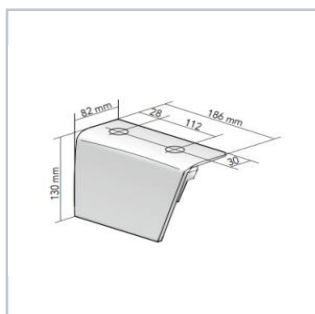


Bracket set HW
1x NW1 and 1xNW2 4 mounting points



NW 1/2*

Ceiling brackets



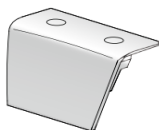
Bracket DK8/9

Standard bracket with 2 mounting points for ceiling montage

Plate DK10

Plate with 4 mounting points and distance plate

Ceiling mounting



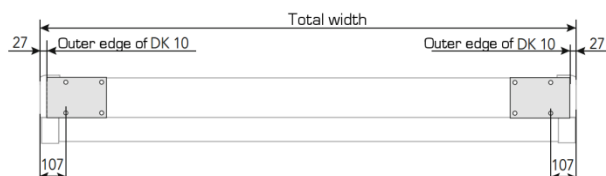
Bracket set K1
1x WK20 and 1xWK21 4 mounting points (default)



DK 8/9*



Bracket set KK 1xWK22 brackets 8 mounting points



DK 10

Wall-mounted on concrete wall

		projection											
		150cm		200cm		250cm		300cm		350cm		400cm	
width		Pull-out force	bracket set	Pull-out force	bracket set	Pull-out force	bracket set	Pull-out force	bracket set	Pull-out force	bracket set	Pull-out force	bracket set
	250cm	1262	KI	1984	KI								
	300cm	1458	KI	2291	KI	3283	KI						
	350cm	1654	KI	2598	KI	3723	KI	5233	KI				
	400cm	1851	KI	2905	KI	4164	KI	5830	KI*				
	450cm	2047	KI	3212	KI	4604	KI	6426	KI*				
	500cm	2243	KI	3519	KI	5044	KI	7022	KI*				
	550cm												
	600cm												
	650cm												

Wall-mounted on brick wall

		projection											
		150cm		200cm		250cm		300cm		350cm		400cm	
width		Pull-out force	bracket set	Pull-out force	bracket set	Pull-out force	bracket set	Pull-out force	bracket set	Pull-out force	bracket set	Pull-out force	bracket set
	250cm	558	KK	870	KK								
	300cm	644	KK	1005	KK	325	KL						
	350cm	731	KK	1139	KK	369	KL	518	KL				
	400cm	817	KK	288	KL	412	KL	577	KL				
	450cm	904	KK	319	KL	456	KL	636	KL				
	500cm	990	KK	349	KL	500	KL	695	KL				
	550cm												
	600cm												
	650cm												

Wall mounted on a hollow brick wall

		projection											
		150cm		200cm		250cm		300cm		350cm		400cm	
width		Pull-out force	bracket set	Pull-out force	bracket set	Pull-out force	bracket set	Pull-out force	bracket set	Pull-out force	bracket set	Pull-out force	bracket set
	250cm	558	KK	870	KK								
	300cm	644	KK	1005	KK	325	KL						
	350cm	731	KK	1139	KK	369	KL	518	KL				
	400cm	817	KK	288	KL	412	KL	577	KL				
	450cm	904	KK	319	KL	456	KL	636	KL				
	500cm	990	KK	349	KL	500	KL	695	KL				
	550cm												
	600cm												
	650cm												

*only in combination with FAZ II M12 GS A4 anchor bolts

Wall-mounted on a cinder wall

		projection											
		150cm		200cm		250cm		300cm		350cm		400cm	
width		Pull-out force	bracket set	Pull-out force	bracket set	Pull-out force	bracket set	Pull-out force	bracket set	Pull-out force	bracket set	Pull-out force	bracket set
	250cm	558	KK	870	KK								
	300cm	644	KK	1005	KK	325	KL						
	350cm	731	KK	258	KL	369	KL	518	KL				
	400cm	817	KK	288	KL	412	KL	577	KL				
	450cm	904	KK	319	KL	456	KL	636	KL				
	500cm	990	KK	349	KL	500	KL	695	KL				
	550cm												
	600cm												
	650cm												

Mounted on a concrete ceiling

		projection											
		150cm		200cm		250cm		300cm		350cm		400cm	
width		Pull-out force	bracket set	Pull-out force	bracket set	Pull-out force	bracket set	Pull-out force	bracket set	Pull-out force	bracket set	Pull-out force	bracket set
	250cm	1009	KW	1516	KW								
	300cm	1172	KW	1756	KW	2451	KW						
	350cm	1334	KW	1996	KW	2784	KW	3843	KW				
	400cm	1497	KW	2236	KW	3118	KW	4285	KW				
	450cm	1659	KW	2476	KW	3451	KW	4728	KW				
	500cm	1822	KW	2716	KW	3785	KW	5171	KW				
	550cm												
	600cm												
	650cm												

Description Overview

Awning in a closed construction with self-supporting aluminium cassette and a C- shaped front bar for year-round weather protection of fabric and mechanism. Manufactured according to DIN EN13561. Wind resistance class 2, resistance to water collection class 2 (at inclination angle at least 14°).

Dimensions	Width 191 to 500cm; Projection 150, 200, 250, 300, 350cm.
Cassette	Extruded aluminium with inner plastic lining for protection of cloth and mechanism. Top cover removable. Sealing profile made of silicone. End caps made of cast aluminium.
Roller tube	Roller made of galvanized steel tube Ø78 x 1 mm with flat groove for a cloth holder.
Brackets, arm sockets and side bearings	Extruded aluminium or cast aluminium. Arm brackets adjustable from 5° to 40° via threaded spindle. Side cover for wall or ceiling mounting. Mounting fasteners not visible after installation. Option: Mounted in a recess.
Articulated arms	High quality extruded aluminium cast profiles. Power transmission through internal steel springs (coated with plastic). Up to 500cm width 2 arms.
End bar	Made of extruded aluminium with a groove for holding. Aluminium cast end caps.

Operation

Manual crank	Maintenance-free gearbox with 3:1 ratio Crank removable and available in different sizes (100, 120, 140, 160, 180 and 200cm)
Electric	Maintenance free electric motor incorporated inside the roller tube with adjustable end position and thermal protection. Make: Somfy or equivalent. Alternative: same as above but with integrated radio receiver and remote controls. Make: Somfy or equivalent
Frame colour	Silver (RAL 9006) Anthracite (DB 703) Other colours on request
Fabric	Woven fabrics made of acryl. Dirt and water resistant. Weight 290g/m2. Light blocking according to DIN 54003 at least class 7. Awning fabric made of 120cm wide rolls. Hem width 4cm. All seams are bonded ultrasonically with special UV- resistant adhesive.
Product origin	Europe